



## STAINLESS STEEL SUBMERSIBLE PUMP

- ✓ MODEL: HPSPSST3600
- 1/2 HP
- 3,600GPH/13,627LPH

# OWNER'S MANUAL

### Hidropoint, LLC.

9623 W. Hunt Club Dr.  
Mequon, WI 53097

**Phone:** (262)299-5188

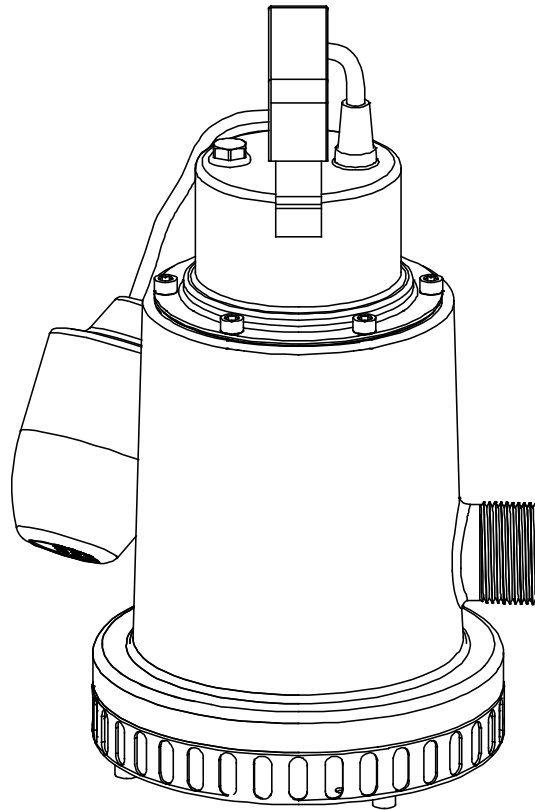
**Fax :** (262)247-0096

**E-Mail:** [services@hidropoint.com](mailto:services@hidropoint.com)

**Web:** <http://www.hidropoint.com>

### OFFICE HOURS:

Monday – Friday: 9:00 AM – 6:00 PM (EST)



HPSPSST3600

## PREINSTALLATION CHECK

Inspect this pump before it is used. Occasionally, pumps can be damaged during shipping. If the pump or components are missing, deformed, or cracked, e-mail: [services@hidropoint.com](mailto:services@hidropoint.com) or call us at: (262)299-5188, Monday - Friday between 9:00 a.m. - 6:00 p.m., EST. **ATTEMPTING TO USE A DAMAGED PUMP** can result in personal injury or death!

## DESCRIPTION

This Hidropoint stainless steel submersible sump pump is designed for home sump applications. The pump is built with overload thermal protections and auto reset. The pump is equipped with a 10' 3-prong grounding-type power cord and tethered float switch. This pump operates automatically. Ball bearings on motor shafts never need lubrication. Stainless steel pump housing, volute, screws, and non-clog reinforced thermoplastic impeller provide variety applications including drainage of sump pits, flooded basements, laundry, and dewatering flooded areas. It also can be used as a waterfall pump. Pump only water with this pump. This pump has not been tested or approved for use in swimming pools or in salt-water marine areas.



- Do not pump flammable or explosive liquids such as oil, gasoline, kerosene, ethanol, etc.
- Do not use in the presence of flammable or explosive vapors.
- Using this pump with or near flammable liquids can cause explosion or fire, resulting in serious personal injury and/or property damage.

## SPECIFICATIONS

- Power supply required..... 115V, 60 HZ
- Water temperature range..... Max.77°F (25°C)
- Individual branch circuit required ..... 15 Amp minimum
- Discharge Connection..... 1-1/4" Male NPT
- Motor duty..... Continuous
- Power cord..... SJTW, 18AWG/3C, 10ft

**NOTICE:** This unit is not designed to be used to pump salt water or brine! Use with salt water or brine will void warranty.

## CONSTRUCTION

- Motor housing..... Stainless Steel
- Volute (Intake screen)..... Stainless Steel
- Impeller..... Reinforced thermoplastic

## PERFORMANCE

Table 1

| Model       | HP  | GPH of Water @ Total Feet (Meters) of Lift |             |              |                |              | Maximum |
|-------------|-----|--|-------------|--------------|----------------|--------------|---------|
|             |     | 5ft. (1.5m)                                | 10ft. (3 m) | 15ft.(4.6 m) | 20 ft. (6.1 m) | 30ft (9.15m) |         |
| HPSPSST3600 | 1/2 | 3300                                       | 2880        | 2520         | 1980           | 780          | 0       |

## GENERAL SAFETY INFORMATION



- Do not lift pump by power cord or switch cord.
- Do not touch an operating motor housing. The motor is designed to operate at high temperatures.
- Do not disassemble the motor housing. The motor has NO repairable internal parts, and disassembling it may cause water leakage into motor housing or dangerous electrical wiring issues.

This pump is made of high-strength, corrosion-resistant stainless steel. It will provide trouble-free service for a long time when properly installed, maintained, and used. However, inadequate electrical power to the pump, dirt, or debris may cause the pump to fail. Please carefully read the manual and follow the instructions regarding common pump problems and remedies. The following are the general safety requirements. Failure to follow them could cause serious personal injury and/or property damage.

### Additional Safety Precautions

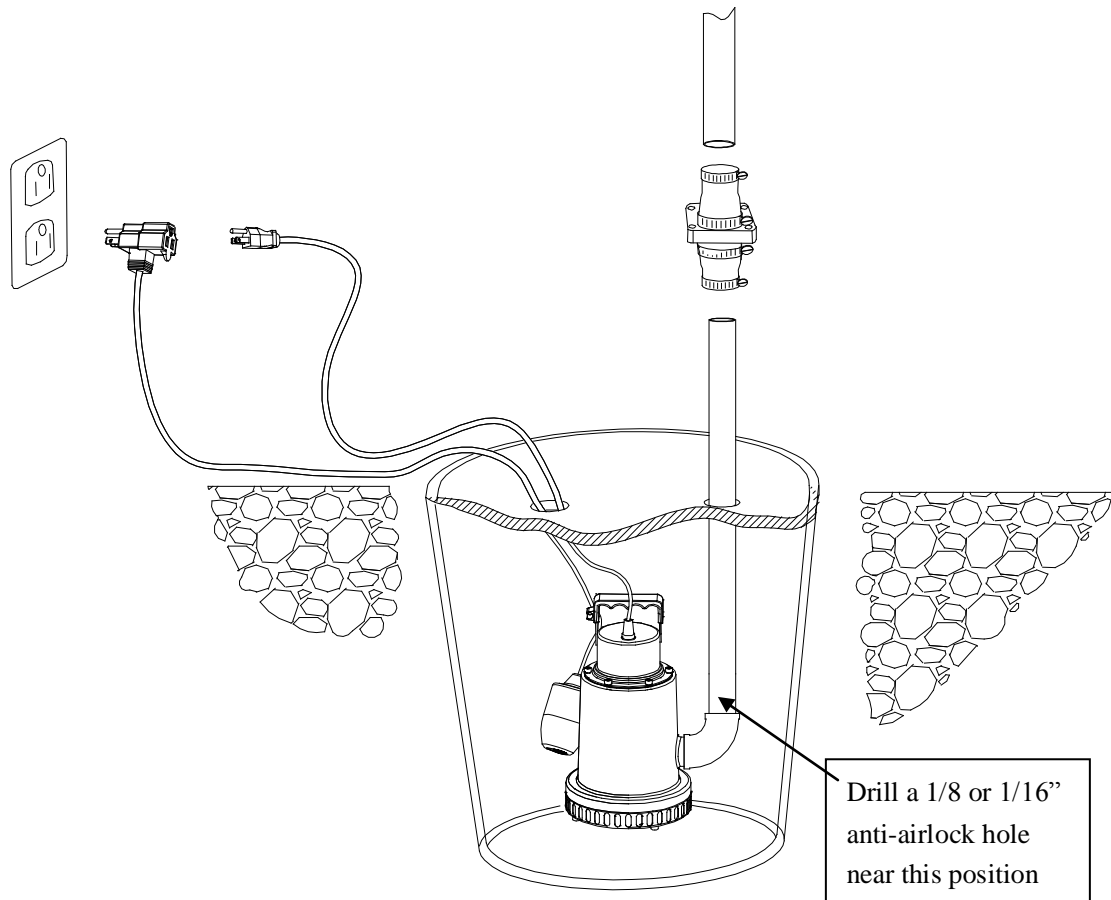
1. Know the pump applications, limitations, and potential hazards.
2. Make certain the electrical power source is adequate for the requirements of the pump.
3. ALWAYS disconnect the power to the pump before servicing.
4. Release all pressure within system before servicing any component.
5. Drain all water from system before servicing.
6. Secure discharge line before starting pump. An unsecured discharge line will whip, possibly causing personal injury and/or property damage.
7. Secure the pump on a solid base to keep the pump vertical and above mud and sand during operation to maximize pumping efficiency and prevent clogging and premature pump failure.
8. Check that all pipe connections are tight to minimize leaks.
9. Connect the pump DIRECTLY to a grounded, GFCI outlet.
10. Extension cords may not deliver sufficient voltage to the pump motor. Extension cords present a life threatening safety hazard if the insulation becomes damaged or the connection ends fall into water.
11. Make certain the electrical circuit to the pump is protected by a 15 Amp or larger fuse or circuit breaker.
12. Periodically inspect the pump and system components to be sure the pump inlets are free of mud, sand, and debris. DISCONNECT THE PUMP FROM THE POWER SUPPLY BEFORE INSPECTING.
13. Do not handle pump or pump motor with wet hands or when standing on wet or damp surface, or in water.
14. Wear safety glasses at all times when working with pumps.
15. Follow all electrical and safety codes, particularly the National Electrical Code (NEC) and in the workplace, the Occupational Safety and Health Act (OSHA).
16. This unit is designed only for use on 115 volts (single phase), 60 Hz, and is equipped with an approved 3-conductor cord and 3-prong grounded plug. DO NOT REMOVE THE GROUND PIN UNDER ANY CIRCUMSTANCES. The 3-prong plug must be directly inserted into a properly installed and grounded 3-prong, grounding-type receptacle. **Do not use this pump with a 2-prong wall outlet.** Replace the 2-prong outlet with a properly grounded 3-prong receptacle (a GFCI outlet) installed in accordance with the National Electrical Code and local codes and ordinances. All wiring should be performed by a qualified electrician.
17. Protect the electrical cord from sharp objects, hot surfaces, oil, and chemicals. Avoid kinking the cord. **Do not use damaged or worn cords.**

## INSTALLATION

**Materials required:** 1-1/4" PVC pipe with cement to match and threaded or in-line check valve. If your check valve does not have a 1/8" anti-airlock hole, drill one in the discharge pipe just above the 90 degree elbow. Be sure to install the check valve so that the flow will be away from the pump.



*Always use the handle to lift the pump. Never use the power cord to lift the pump. To avoid skin burns, unplug the pump and allow time for it to cool after periods of extended use.*



1. Install the pump in sump pit with minimum diameter of 14" (356mm). Sump pit depth should be 20" (500mm). Construct sump pit of tile, concrete, steel, or plastic. Check local codes for approved materials and for proper installation.
2. Clean sump pit of small stones, gravel, or mud. Secure the pump on a level, solid base. Do not suspend the pump by the discharge pipe, hose, or power cord.
3. Install discharge plumbing and a check valve in the vertical pipe to prevent flow backwards through the pump when it shuts off. Use rigid plastic pipe and wrap threads with Teflon tape, **NOT pipe joint compound**. Screw pipe into pump hand tight plus 1-1/2 turns.
4. After the installation of the necessary plumbing and check valve, follow the glue manufacturer's instructions for safety precautions and curing time. The pump is ready for operation.
5. Pump is designed for 115 V., 60Hz, operation and requires a minimum 15 amp individual branch circuit.
6. Check the pump by filling the sump pit with water and observe the pump's operation through one complete cycle. Make sure the pump cannot move in the sump and float switch moves freely up and down.

## OPERATION



*Do not handle this pump or plug in or unplug this pump with wet hands or while standing in water, unless you are certain all power has been turned off to the pump. Remember, the pump should be connected only to a properly grounded, GFCI outlet.*

1. Make certain the pump is submerged in water. Running the pump dry can damage the shaft seal.
2. Plug the pump power cord plug into the piggyback switch plug outlet, and then plug the switch plug into a 115V GFCI power outlet. When the float switch moves up over the pump top the pump will start operating. The water will be pumped out. When the water lowers to certain level, the float switch will turn off the pump. This pump also can operate manually if

the switch fails. Directly plug the power cord plug into a 115V GFCI power outlet. The pump will pump water out.

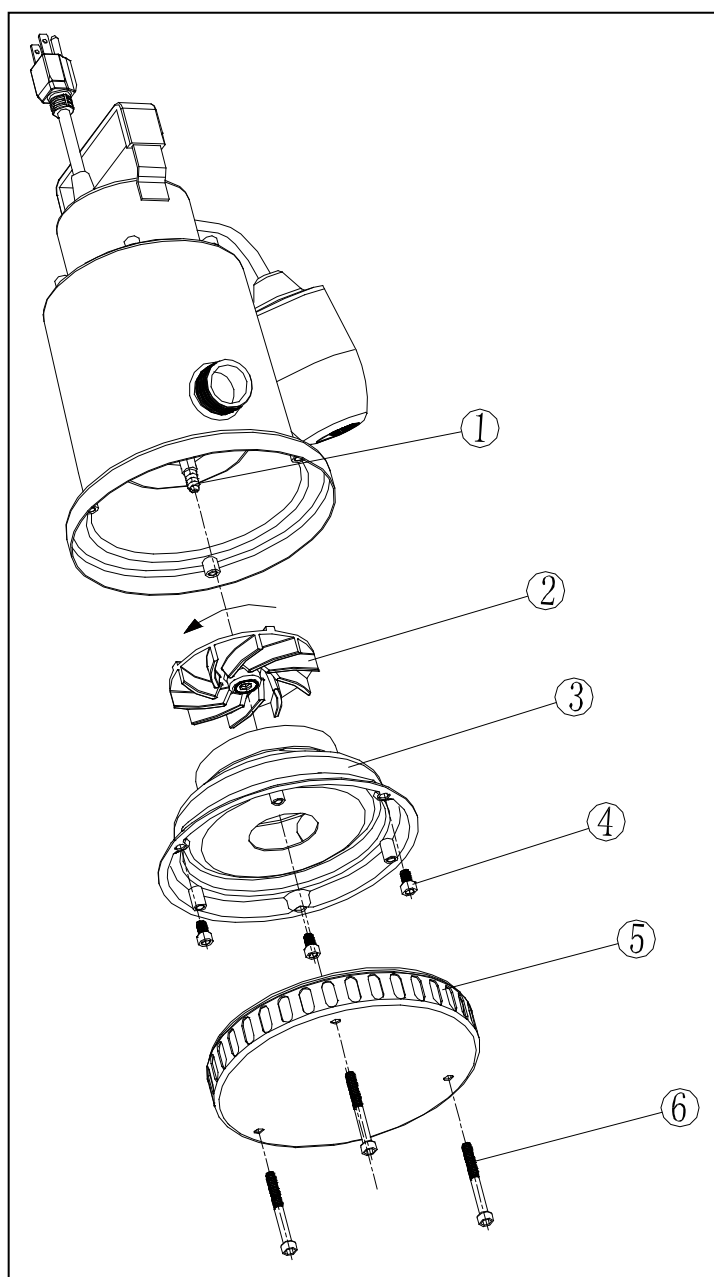
3. The motor is equipped with an automatically resetting thermal overload protector. If the motor gets too hot, the overload protector will shut off the pump before it is damaged. When the motor has cooled sufficiently, the overload protector will reset, and the motor will restart.

**NOTICE:** If the overload protector stops the pump repeatedly, disconnect the power from the pump and check to find the problem. Low voltage, a long extension cord, clogged impeller, screen blocked by debris, or water that is too hot can cause motor overheating.

## TROUBLESHOOTING



*Do not disassemble the motor housing. The motor has NO repairable internal parts, and disassembly may cause water to leak into motor housing or dangerous electrical wiring issues.*



| Item number | Description     |
|-------------|-----------------|
| 1           | Motor shaft     |
| 2           | Vortex impeller |
| 3           | Volute          |
| 3           | Screws          |
| 5           | Screen          |
| 6           | Screws bolts    |

**Table 2 Troubleshooting Common Pump Problems**

| <b>Problem</b>                             | <b>Possible Cause</b>   | <b>Corrective Action</b>  |
|--|---|---|
| Pump does not start or run                 | <ol style="list-style-type: none"> <li>1. Blown fuse</li> <li>2. Tripped breaker</li> <li>3. Plug disconnected</li> <li>4. Corroded plug</li> <li>5. Thermal overload</li> <li>6. Motor failed</li> <li>7. Float switch failed</li> </ol> | <ol style="list-style-type: none"> <li>1. Replace fuse</li> <li>2. Reset breaker</li> <li>3. Secure plug</li> <li>4. Clean plug prongs</li> <li>5. Unplug for 30 minutes, then plug in</li> <li>6. Replace pump</li> <li>7. Replace float switch</li> </ol> |
| Pump operates but pumps little or no water | <ol style="list-style-type: none"> <li>1. Screen blocked</li> <li>2. Check valve blocked</li> <li>3. Debris caught in impeller or discharge</li> <li>4. Airlock</li> </ol>  | <ol style="list-style-type: none"> <li>1. Clean screen</li> <li>2. Clean check valve</li> <li>3. Remove debris and reassemble impeller</li> <li>4. Drill a 1/8" diameter hole on the discharge pipe 1" to 2" above the 90 degree elbow</li> </ol>           |
| Pump starts and stops too often            | <ol style="list-style-type: none"> <li>1. Backflow of water from piping or check valve leaking</li> <li>2. Float switch failed</li> </ol>   | <ol style="list-style-type: none"> <li>1. Install or replace check valve</li> <li>2. Replace switch.</li> </ol>   |
| Pump will not shut off                     | <ol style="list-style-type: none"> <li>1. Float obstructed</li> <li>2. Defective float switch</li> </ol>  | <ol style="list-style-type: none"> <li>1. Remove obstruction and make sure the switch moves freely</li> <li>2. Replace switch</li> </ol>  |

**WARRANTY**

Hidropoint warrants, to the original purchaser and subsequent owner during the warranty period, every new product to be free from defects in material and workmanship under normal use and service, when properly used and maintained, for a period of 90 days from date of purchase by the end user. Your original receipt of purchase is required to determine warranty eligibility.

Purchaser must pay all labor and shipping charges necessary to replace product covered by this warranty. This warranty does not apply to products which have been damaged as a result of flood, negligence, abuse, accident, misapplication, tampering, alteration; or due to improper installation, operation, maintenance or storage; or to other than normal application, use or service, including but not limited to, operational failures caused by corrosion, rust, or other foreign materials including but not limited to the following: sand, gravel, cement, mud, tar, hydrocarbons, hydrocarbon derivatives (oil, gasoline, solvents, etc.), or other abrasive or corrosive substances, wash towels or feminine sanitary products, etc. in all pumping applications.

**Hidropoint shall not be liable for any consequential, incidental, or contingent damages whatsoever.**

**The foregoing warranties are exclusive and in lieu of all other express warranties. Implied warranties, including but not limited to the implied warranties of merchantability and fitness for a particular purpose, shall not extend beyond the duration of the applicable express warranties provided herein.**

Some states do not allow the exclusion or limitation of incidental or consequential damages or limitations on how long an implied warranty lasts, so the above limitations or exclusions may not apply to you. This warranty gives you specific legal rights and you may also have other rights which vary from state to state.

Contact our Customer Service Department to obtain any needed repair or re placement of part(s) or additional information pertaining to our warranty. Please call at 262-299-5188 or e-mail at [services@hidropoint.com](mailto:services@hidropoint.com) for return authorization and instruction. **You must retain your purchase receipt. For warranty claims, you must send the copy of the purchase receipt along with the material or correspondence.**

---

**Hidropoint, LLC.**

9623 W. Hunt Club Dr.

Mequon, WI 53097

**Phone:** (262)299-5188

**Fax :** (262)247-0096

**E-Mail:** [services@hidropoint.com](mailto:services@hidropoint.com)

**Web:** <http://www.hidropoint.com>

**OFFICE HOURS:**

Monday – Friday: 9:00 AM – 6:00 PM (EST)